

Name: _____ Grade : V Branch: _____ Date:27/04/2020 Sub: Math

Math – Key

I.

a) 6,74,806-Six lakh seventy four thousand eight hundred and six

b) 3,07,402- Three Lakh seven thousand four hundred and two

II.

a) 14563

b)999999

c) Thousand tens

III.

a) $3\underline{4}723=4\times 1000=4000$

b) $4\underline{9}8324=9\times 10000=90000$

IV.

a)1,23,478

b)8,74,321

c)124783

V.

$= 3\times 1000+56\times 100+4\times 10$

$=3000+5600+40$

$= 8640$

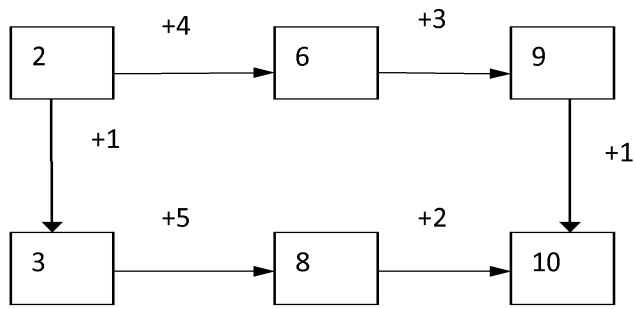
VI.

7	2	16	9
12	13	3	6
1	8	10	15
14	11	5	4

Sum=34

VII.17

VIII.



IX.

a) 16,824 \longrightarrow 17000

b) 80527 \longrightarrow 81000

X. L Th Th H T O

4 2 8 7 6 5

***** **STAY HOME , STAY SAFE** *****