



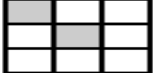
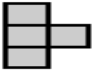




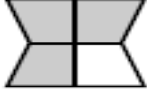


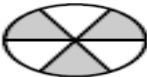



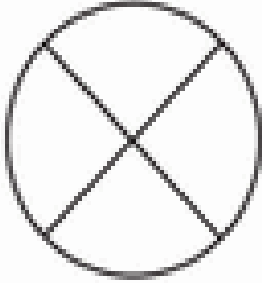
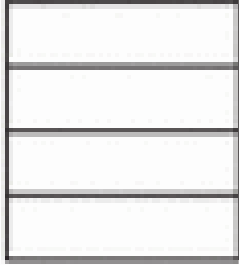
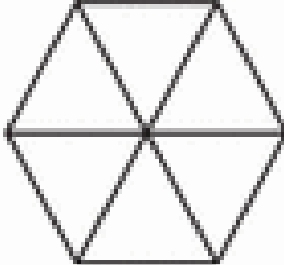
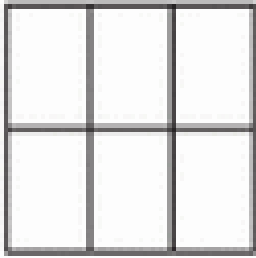
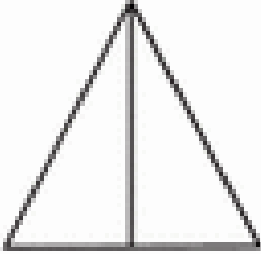
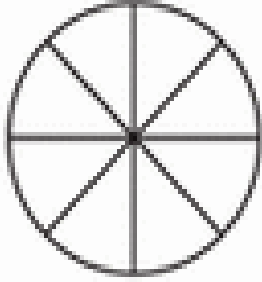
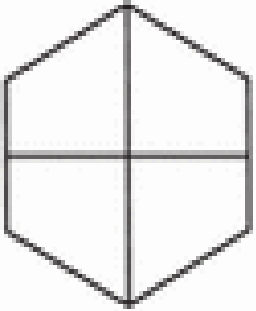
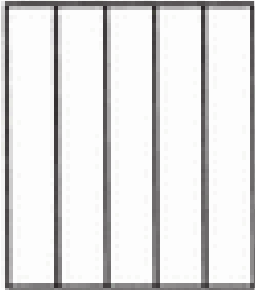
I. Identify the numerator and denominator of the following fractions:

Fractions	Numerator	Denominator
$\frac{3}{8}$		
$\frac{4}{7}$		
$\frac{5}{9}$		
$\frac{3}{5}$		

II. Write the missing number (Numerator or Denominator):

a.  $\frac{1}{\quad}$	b.  $\frac{\quad}{8}$	c.  $\frac{1}{\quad}$
d.  $\frac{6}{\quad}$	e.  $\frac{2}{\quad}$	f.  $\frac{\quad}{4}$
g.  $\frac{5}{\quad}$	h.  $\frac{\quad}{2}$	i.  $\frac{2}{\quad}$
j.  $\frac{4}{\quad}$	k.  $\frac{\quad}{4}$	l.  $\frac{4}{\quad}$
m.  $\frac{4}{\quad}$	n.  $\frac{\quad}{6}$	o.  $\frac{\quad}{2}$

III. Colour the parts of the shape to represent each fraction:

$\frac{1}{4}$ 	$\frac{3}{4}$ 	$\frac{5}{6}$ 
$\frac{2}{6}$ 	$\frac{1}{2}$ 	$\frac{5}{8}$ 
$\frac{1}{4}$ 	$\frac{2}{5}$ 	$\frac{2}{4}$ 